

## Sink S4001

Kitchen Sinks

Code: 3367 050



### DETAILS

Edge/Installation Type Flush-mount | Top-mount

---

Material AISI 304 stainless steel

---

Texture Brushed in line

---

Finish Foster brushed

---

Base 90 cm

---

Dimensions 860 x 520 mm

---

Bowl dimension 800 x 400 mm

---

Width 86 cm

---

Built-in hole [View technical data sheet](#)

---

|                   |                                                                 |
|-------------------|-----------------------------------------------------------------|
| Number of bowls   | 1 bowl                                                          |
| Drainer           | No                                                              |
| Standard fittings | Fixing hooks, gasket, drain, overflow and siphon, boxed packing |
| Mixer holes       | 2 standard holes - 3rd and 4th holes on request                 |
| Waste fitting     | Drain with automatic control SPACE                              |

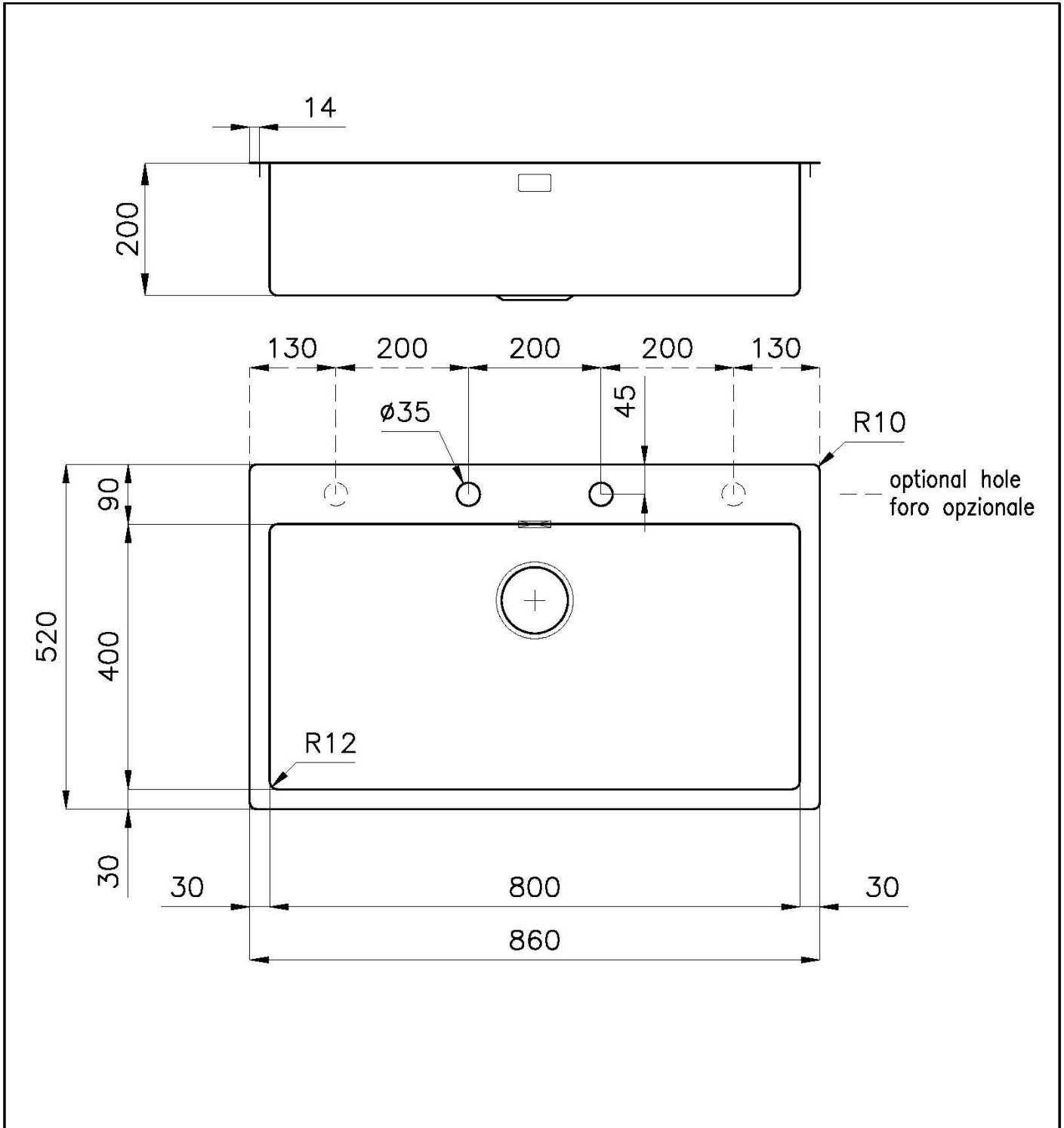
## FEATURES

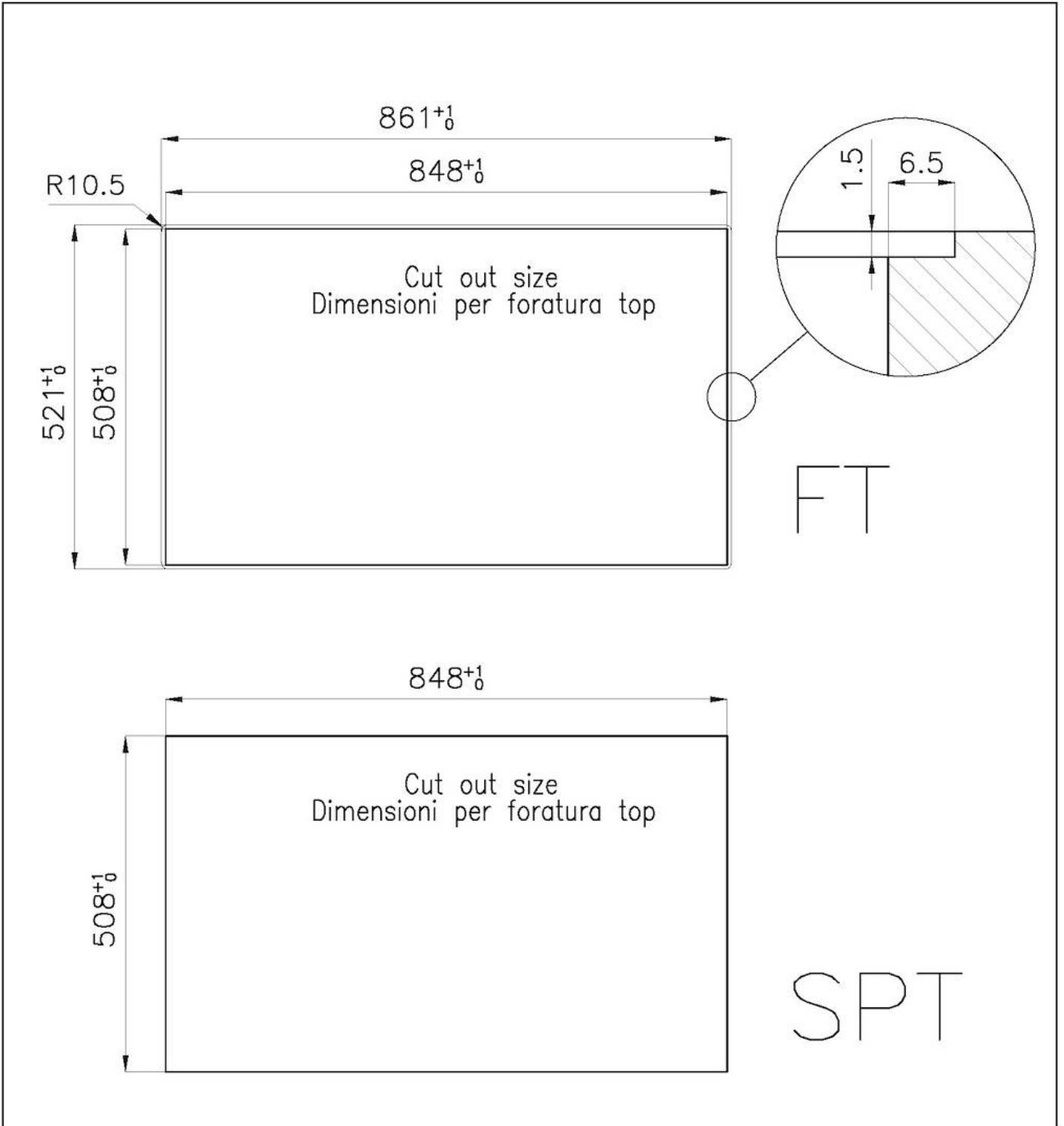
|                         |                                                                                                                                                                                                             |
|-------------------------|-------------------------------------------------------------------------------------------------------------------------------------------------------------------------------------------------------------|
| Automatic waste fitting | The waste-fitting with round remote knob is supplied; a practical accessory which makes it unnecessary to get wet in order to drain the water from the bowl.                                                |
| Deep bowls              | This bowls reach an important depth, over 20 cm, thanks to the advanced production technology, that can be offer great capieny and practicity in all the washing operations.                                |
| Double mixer hole       | The large tap counter is already fitted with a series of 2 tap holes. In the second hole it is possible to install the remote control of the automatic drain or, alternatively, a practical soap dispenser. |
| High thickness          | 1mm thick steel. A significant thickness, which guarantees the maximum sturdiness and durability.                                                                                                           |
| Perimetral overflow     | The overflow is always a security on the Foster sinks that prevents the overflow of water in case of oversights. The perimeter drain solution improves aesthetics thanks to its square and essential shape. |
| Save space system       | Drain and siphon are designed to leave as much space as possible in the under-sink area, more and more useful today for theseparate waste collection systems.                                               |
| Small radius            | Bowls with squared shapes with a modern design and an increased capacity, for a minimal aesthetics connected with an extreme practicity.                                                                    |

## Space waste fitting

The elegant SPACE steel cap closes the drain and leaves no visible residues collected in the basket below. Space also has a small footprint and allows the optimal use of the under-sink compartment.

## TECHNICAL DATA





## GALLERY



## EQUIPMENT

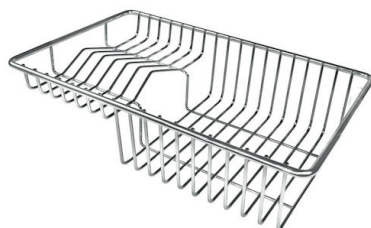


**Space automatic waste fitting - PA**  
8407 108

## OPTIONAL ACCESSORIES



**HPDE Twin chopping board**  
8644 101



**Stainless steel plate rack**  
8100 303  
\* only in combination with the accessory  
8644 101



**Black grid**  
8100 617



**Cestello inox**  
8612 000



**Glass chopping board**  
8631 300



**Graters kit with ring-holder and  
food collection tray**  
8159 101  
\* only in combination with the accessory  
8644 101



**HPDE Chopping board**  
8657 001



**Iroko-wood sliding chopping board  
with stainless steel colander**  
8644 044



**Stainless steel basket**  
8611 000



**Stainless steel perforated tray**  
8151 000

\* only in combination with the accessory  
8644 101



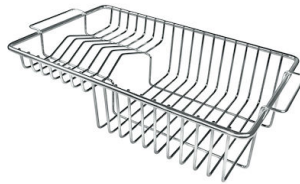
**Stainless steel perforated tray PVD  
Copper**  
8151 008



**Stainless steel perforated tray PVD  
Gold**  
8151 009



**Stainless steel perforated tray PVD  
Gun Metal**  
8151 006



**Stainless steel plate rack**  
8100 201



**White bowl**  
8153 100

## RECOMMENDED PAIRINGS



**Mixer Tap Play**  
8487 000